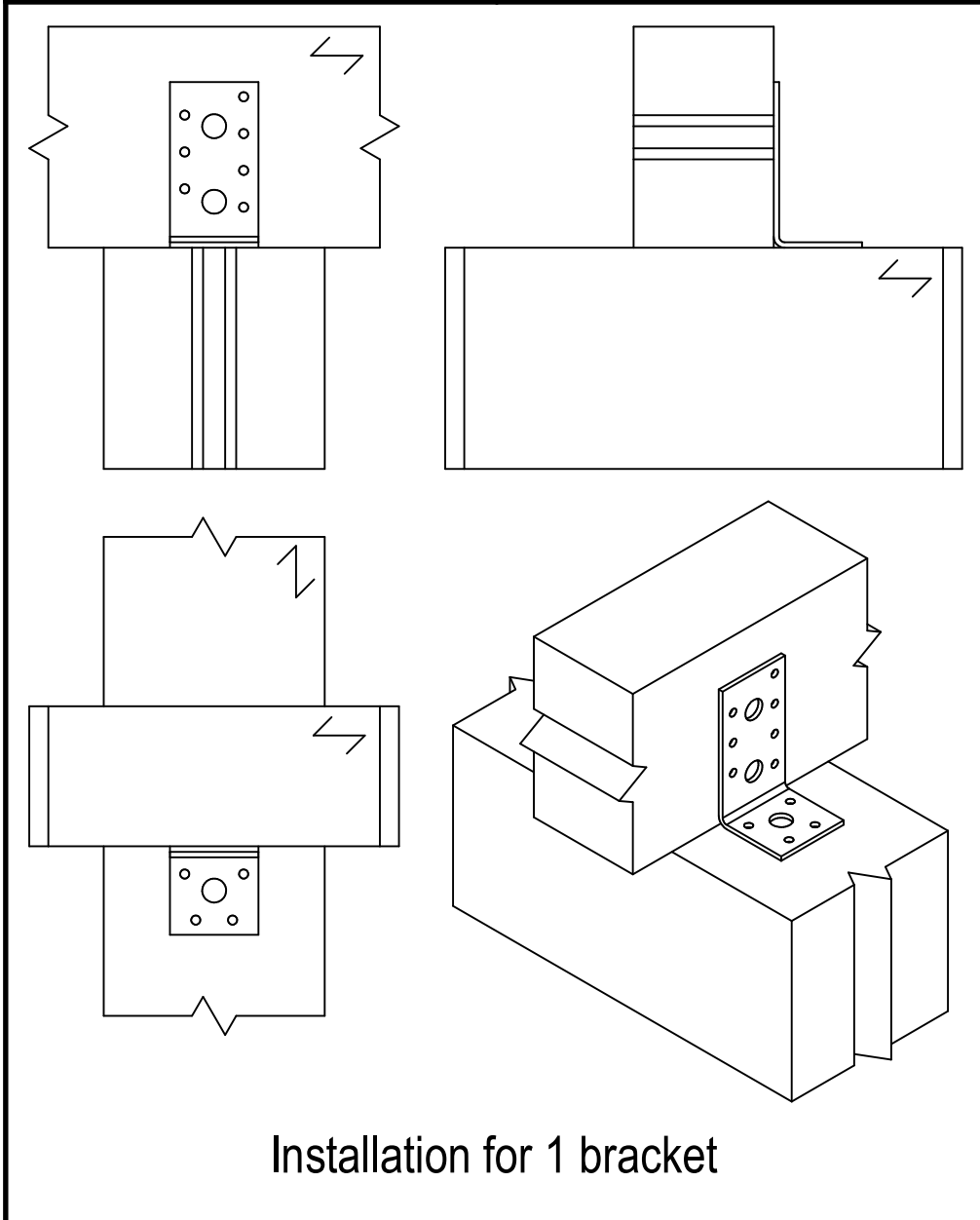
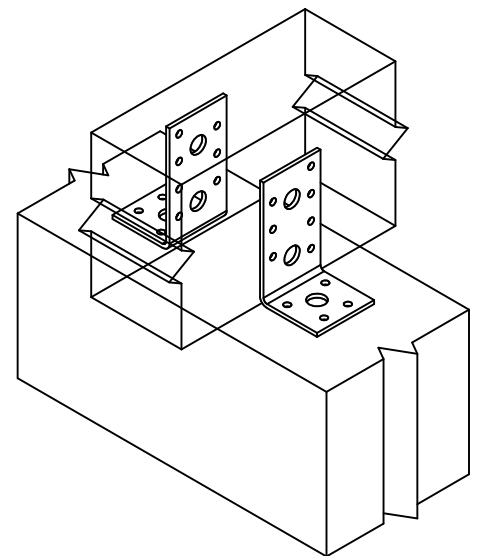




Item	=	AE48	
Fasteners	=	Timber to timber	Beam to beam
Type of fastening	=	Full nailing	Fastening plan No. 2



Installation for 1 bracket



Installation for 2 brackets

	Symbol	Fasteners	Items	Qty
Header Fastener(s)		CNA	CNA4.0X40/50/60	4
		CSA	CSA5.0X40/50	
		-	-	
Joist Fastener(s)		CNA	CNA4.0X40/50/60	7
		CSA	CSA5.0X40/50	
		-	-	