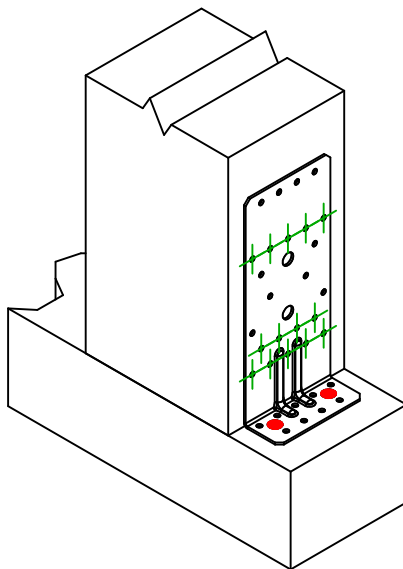
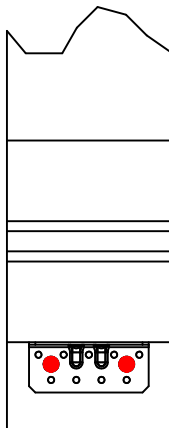
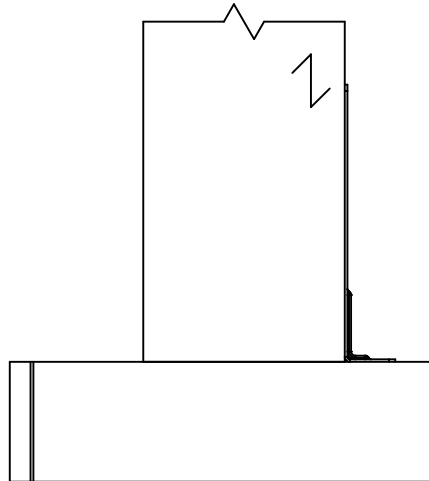
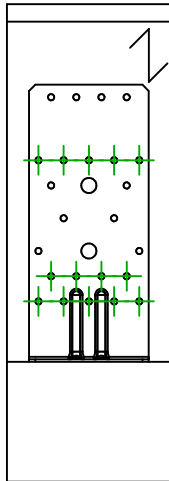
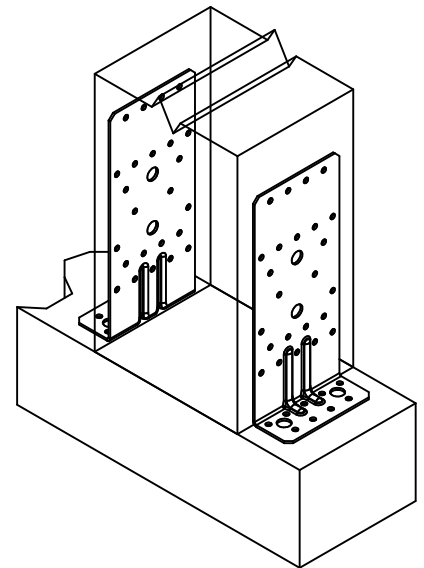




Item	=	ABR220	
Fasteners	=	Timber to rigid support	Column to rigid support
Type of fastening	=	Partial nailing	Fastening plan No. 5



Installation for 1 bracket



Installation for 2 brackets

	Symbol	Fasteners	Items	Qty
Header Fastener(s)		FM753	FM 753 EVO M10X78/5	2
		LMAS	LMASM10-120/25	
		THD	THD8X70/5	
Joist Fastener(s)		CNA	CNA4.0X40/50/60	14
		CSA	CSA5.0X40/50	